

**Island mounted  
Flatline 100 cm  
Stainless steel**



EAN 5414425076505

### Energy label

▪ Energy Efficiency class (EElhood)	A
▪ Annual Energy Consumption (kWh/year) (AEChood)	57
▪ Fluid Dynamic Efficiency class (FDEhood)	A
▪ Lighting Efficiency class (LEhood)	A
▪ Grease Filtering Efficiency class (GFEhood)	F

### Functions & features

▪ Motor	Integrated
▪ Sound absorber	Integrated
▪ Recirculation	Optional
▪ InTouch function	Optional
▪ Auto stop	▪
▪ Delayed switch off (minutes)	10
▪ Grease filter	7530020
▪ Number of grease filters	1
▪ Grease filter cleaning indication	▪
▪ Recirculation filter cleaning indication	▪
▪ Control method	Push buttons
▪ Number of speeds	3 + power
▪ Automatic Power revert (minutes)	6

### Dimensions

▪ Product dimensions exhaust (WxDxHmin-Hmax) (mm)	1000 x 700 x 563 - 730
▪ Product dimensions recirculation (WxDxHmin-Hmax) (mm)	1000 x 700 x 679 - 860
▪ Max height optional chimney [a] exhaust (mm)	1040
▪ Max height optional chimney [b] exhaust (mm)	1350
▪ Max height optional chimney [b] recirculation (mm)	1480
▪ Advised mounting height induction hobs (Hmin-Hmax) (mm)	650 - 850
▪ Advised mounting height gas hobs (Hmin-Hmax) (mm)	650 - 850
▪ Advised mounting height ceramic hobs (Hmin-Hmax) (mm)	600 - 850
▪ Diameter outlet (mm)	150
▪ Position exhaust	Top

### Lighting

▪ Functional lighting type	LED
▪ Functional light dimmable	▪
▪ Soft-ON/OFF	▪
▪ Number of functional lights	4
▪ Total energy consumption functional light (W)	8
▪ Color functional light (K)	2700

## Airflow and noise level

---

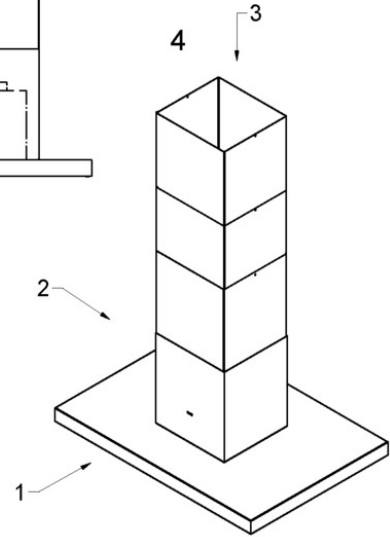
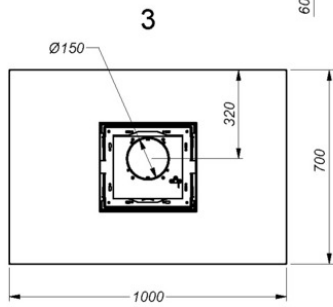
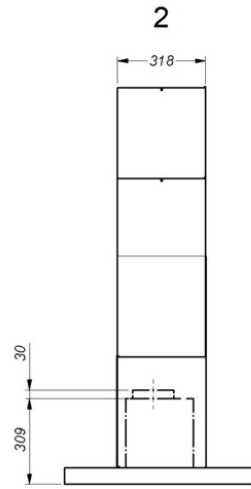
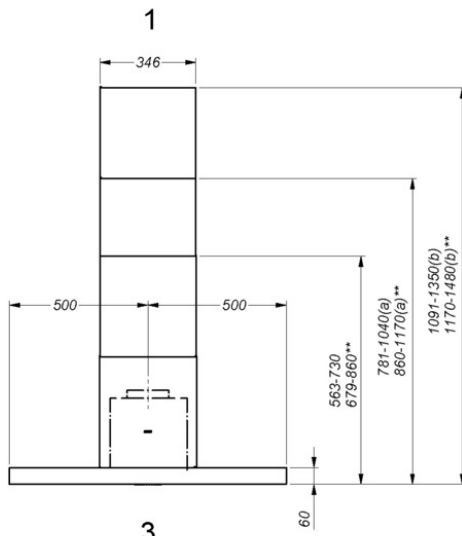
▪ Free airflow (m <sup>3</sup> /h)	1000
▪ Airflow (m <sup>3</sup> /h) measured according to EN 61591	
▪ Sound regulation according to EN 60704-2-13	
▪ Airflow duct out speed 1 (m <sup>3</sup> /h) / Max pressure duct out speed 1 (Pa)	216 / 314
▪ Airflow duct out speed 2 (m <sup>3</sup> /h) / Max pressure duct out speed 2 (Pa)	296 / 472
▪ Airflow duct out speed 3 (m <sup>3</sup> /h) / Max pressure duct out speed 3 (Pa)	451 / 531
▪ Airflow duct out max powerspeed (m <sup>3</sup> /h) (Qboost) / Max pressure duct out max powerspeed (Pa)	743 / 555
▪ Sound pressure duct out speed 1 (dB(A)) / Sound power duct out speed 1 (dB(A))	32 / 47
▪ Sound pressure duct out speed 2 (dB(A)) / Sound power duct out speed 2 (dB(A))	35 / 50
▪ Sound pressure duct out speed 3 (dB(A)) / Sound power duct out speed 3 (dB(A))	41 / 57
▪ Sound pressure duct out at max powerspeed (dB(A)) / Sound power duct out at max powerspeed (dB(A)) (LWAboost)	50 / 64

## Technical specifications

---

▪ Maximum power (W)	308
▪ Voltage appliance (V)	230
▪ Frequency (Hz)	50
▪ Power consumption in stand-by-mode (Ps) (W)	0.25
▪ Net weight (kg)	38
▪ Length power supply cable (m)	1,3

7650



## Installation accessories

---

### Back panel & chimney extensions

- 7640120

Chimney extension option A stainless steel with max 310mm

- 7640130

Chimney extension option B stainless steel with max 620mm

### Additional accessories

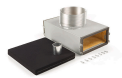
- 840029

Remote control

## Accessories

---

### Recirculation kit



7640400

Recirculation set Novy Flatline island

### Control kit



990030

Control kit for external lighting or valve

